



---

## Black Mobile TV Cart

### Instruction Manual



**SKU: STAND-TV03E**



Scan the QR code with your mobile device or follow the link for helpful videos and specifications related to this product.

<https://vivo-us.com/products/stand-tv03e>

---

GET IN TOUCH | Monday-Friday from 7:00am-7:00pm CST



help@vivo-us.com



www.vivo-us.com  
*Chat live with an agent!*



309-278-5303

# ⚠️ WARNING!

If you do not understand these directions, or if you have any doubts about the safety of the installation, please call a qualified technician. Check carefully to make sure there are no missing or defective parts. Improper installation may cause damage or serious injury. Do not use this product for any purpose that is not explicitly specified in this manual. Do not exceed weight capacity. We cannot be liable for damage or injury caused by improper mounting, incorrect assembly or inappropriate use.

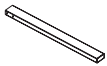
## ⚠️ TIPOVER WARNING

SERIOUS OR FATAL CRUSHING INJURIES CAN OCCUR FROM TIPOVER. TO HELP PREVENT TIPOVER:

- NEVER ALLOW CHILDREN TO CLIMB, STAND, HANG, OR PLAY ON ANY PART OF TV OR TV CART.
- USE TIPOVER RESTRAINT OR ANCHOR STAND TO WALL

**USE OF TIPOVER RESTRAINTS MAY ONLY REDUCE, BUT NOT ELIMINATE RISK OF TIPOVER.**

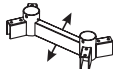
## PACKAGE CONTENTS



**1** (x2)  
Long Square  
Tube



**2** (x2)  
Short Square  
Tube



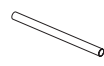
**3** (x1)  
Tube  
Connector



**4** (x1)  
Tube Connector  
Cover



**5** (x2)  
Pole with  
Holes



**6** (x2)  
Pole without  
Holes



**7** (x2)  
Pole  
Connector



**8** (x4)  
Pole Cover



**9** (x4)  
Wheel



**10** (x2)  
Square Plate  
Connector and  
Rubber Pad



**11** (x8)  
M6x60



**12** (x4)  
M6 Socket  
Plate



**13** (x14)  
M6x10



**14** (x2)  
M5x6 Set  
Screw



**15** (x1)  
Tool Kit



**16** (x1)  
Shelf



**17** (x2)  
Shelf Support



**18** (x4)  
M4x6



**19** (x1)  
Square  
Plate



**20** (x1)  
TV Arm Set



**21** (x4)  
M4x12  
M4x30



**22** (x4)  
M6x20  
M6x35



**23** (x4)  
M8x20  
M8x35  
M8x45



**24** (x4)  
M4 Washer



**25** (x12)  
M6 Washer



**26** (x4)  
M8 Washer



**27** (x4)  
M4 Spacer  
M6/8 Spacer  
(20mm)



**28** (x8)  
M6/8 Spacer  
(5mm)

**NOTE:** SOME HARDWARE INCLUDED MAY NOT BE USED

## TOOLS NEEDED



DO NOT EXCEED WEIGHT CAPACITY.

Failure to do so may result in serious injury.



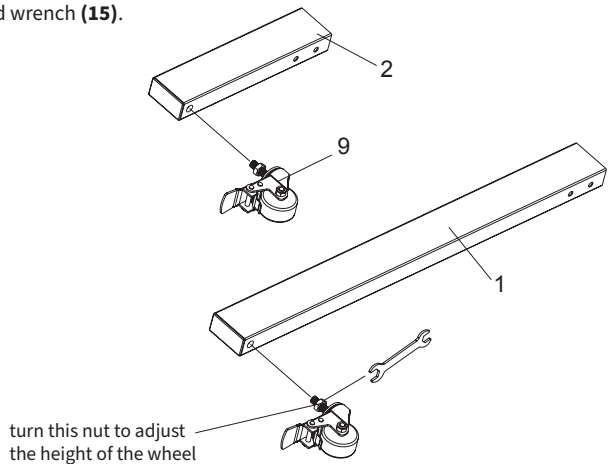
## WARNING: CHOKING HAZARD

SMALL PARTS - NOT FOR CHILDREN UNDER 3 YEARS. ADULT SUPERVISION IS REQUIRED.

## ASSEMBLY STEPS

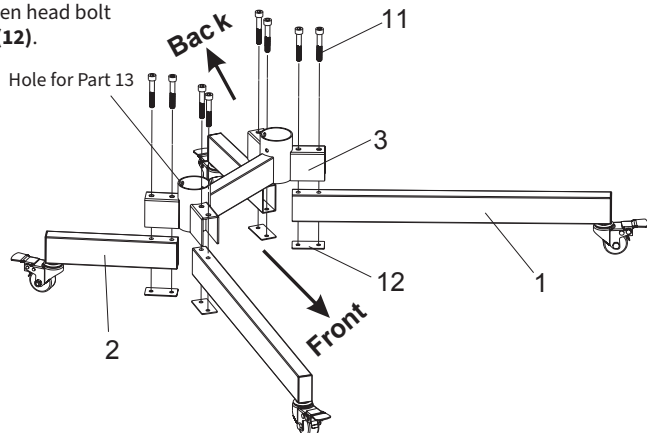
### STEP 1

Attach wheels **(9)** to the long and short square tubing **(1,2)** using the provided wrench **(15)**.



### STEP 2

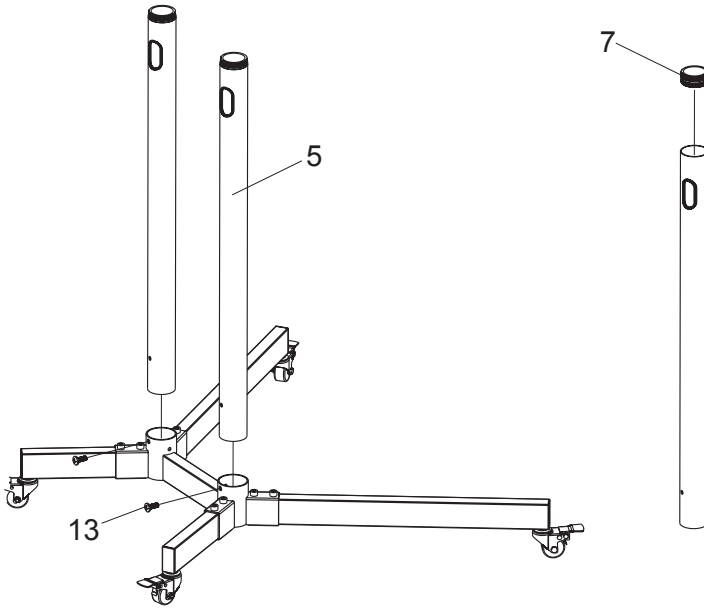
Attach the square tubing **(1,2)** to the tube connector **(3)** using M6x60 Allen head bolt **(11)** and the M6 socket plate **(12)**.



## STEP 3

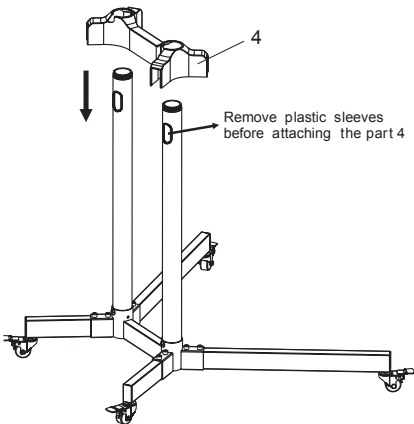
Attach the base poles (5) to the tube connector (3) using M6x10 bolts (13) in the back. Attach the pole connectors (7) to the tops of each base pole (5). Carefully thread the pole connector in perfectly straight to avoid cross-threading. If you feel resistance, back the connector out and restart. Once you are certain the connector is going in straight, use additional force to tighten.

**NOTE:** The pole connector threads are very fine and could be sharp. It may be helpful to grip the pole connector with a cloth or towel to produce sufficient force in order to thread into the poles.

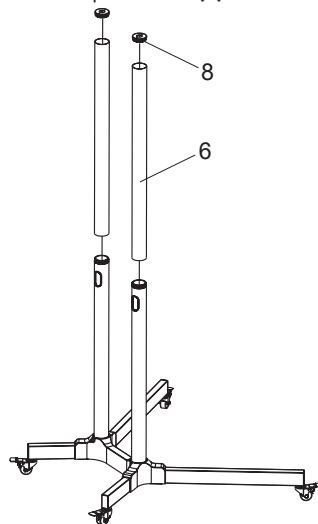


## STEP 4

**4a:** Slide the tube connector cover (4) over the base poles (5) and fit over the tube connector (3).

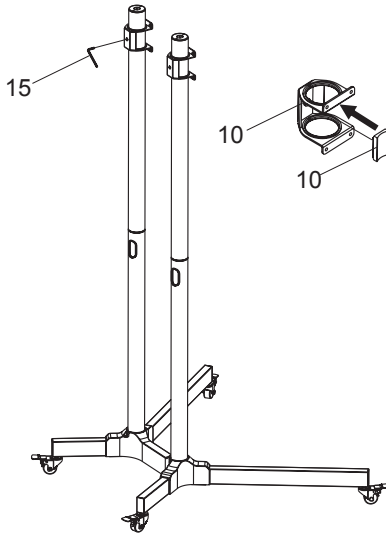


**4b:** Thread the top poles (6) to the pole connectors (7) and insert the pole covers (8) into the top.

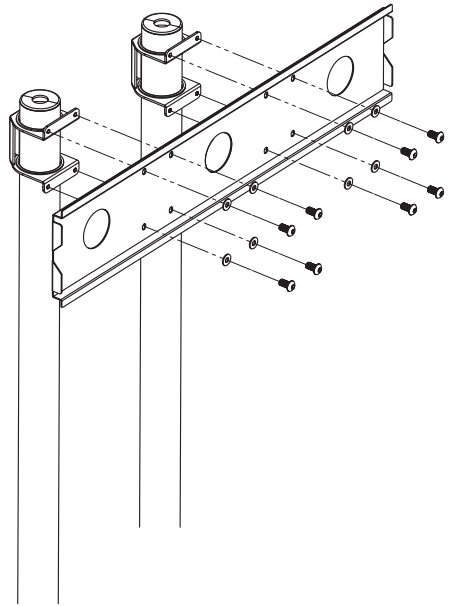


## STEP 5

**5a:** Slide the square plate connectors and rubber pads (10) over the top of the poles (6) and tighten the grub screw using tool kit (15).

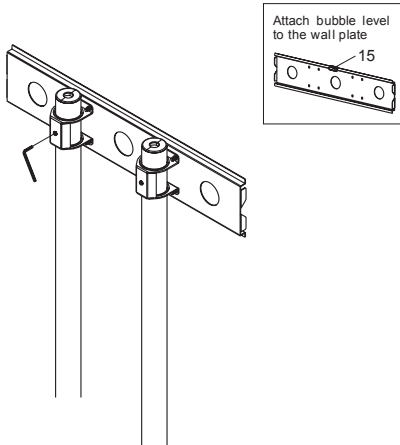


**5b:** Attach the square plate (19) to the square plate connectors (10) with 8 6x10 Allen head bolts (13) and 8 M6 washers (25) using tool kit (15).

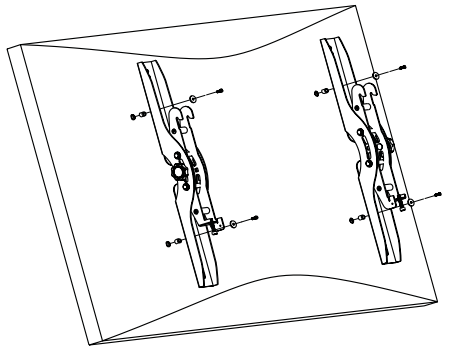


## STEP 6

**6a:** Clip bubble level from tool kit (15) onto the square plate (19). Adjust the level of the square plate (19) by loosening the grub screw in the back of the square plate connector (10) using tool kit (15). Tighten grub screws again once you've reached desired height and level.

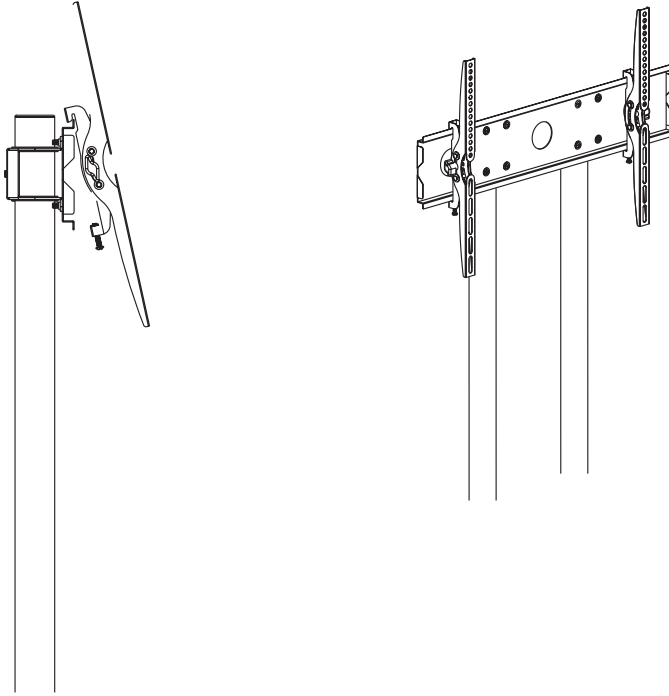


**6b:** Secure TV arm set (20) to the back of your television using bolts (21-23) and washers (24-26), depending on the size of the mounting holes on the television. For curved or recessed TVs, a spacer may be required (27,28).



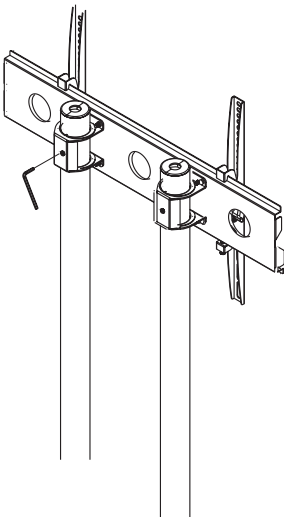
## STEP 7

Attach the TV arm set (20) to the square plate (19). Tighten the safety bolts on the bottom of the TV arm set (20) to secure the television to the stand.

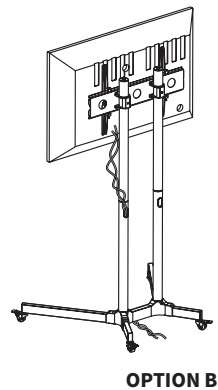
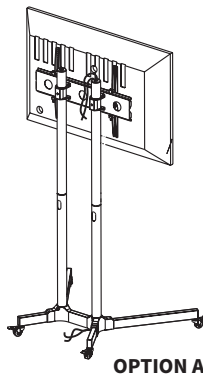


## STEP 8

**8a:** If additional leveling and height adjustment is required after television is attached, repeat step 6.

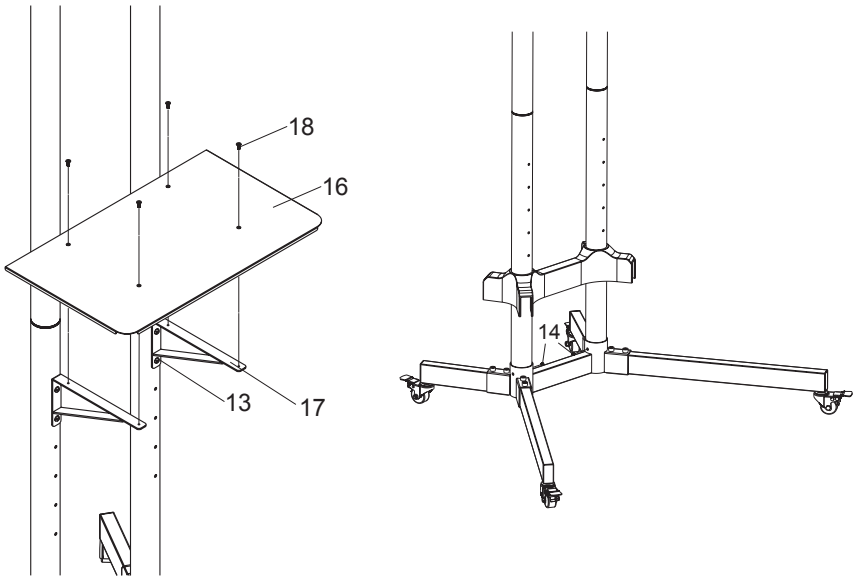


**8b:** For wire management, cables can be run through the tops of the pole covers (8) and down through the poles.



## STEP 9

To attach the shelf **(16)**, first attach the shelf supports **(17)** to the bottom poles **(5)** using 4 M6x10 Allen head bolts **(13)**. Once secured, attach the shelf **(16)** to the supports **(17)** using 4 M4x6 countersink bolts **(18)**. Lift the tube connector cover **(4)** and attach M5x6 set screw **(14)** to the inside holes of the tube connector.





Open **Monday - Friday 7:00am - 7:00pm** CST, our dedicated support team can offer immediate assistance with rapid response times. If any parts are received damaged or defective, please contact us. We are happy to replace parts to ensure you have a fully functioning product.



309-278-5303

**AVG. RESOLUTION TIME** (*within office hrs*): **5M 4S**



[www.vivo-us.com](http://www.vivo-us.com)  
*Chat live with an agent!*

**AVG. RESOLUTION TIME** (*within office hrs*): **< 15 M**



[help@vivo-us.com](mailto:help@vivo-us.com)

**AVG. RESPONSE TIME** (*within office hrs*): **1HR 8M**

- 23% within < 15m
- 38% within < 30m
- 61% within < 1hr
- 83% within < 2hr
- 92% within < 3hr